



Questions? Call Rolltec®
at 1-800-667-0474

Installation Instructions for the Rolltec® Physique XL™ Awning

Table of Contents

Available installation brackets	2
Side dimensions of various installations	3
Determining installation height and positioning installation brackets	4
Mounting wall brackets to surface	5
Attaching and operating the awning	6
Installation of the protective hood (optional)	7
Slope adjustment instructions	8

General Tool Requirements

- Hammer drill
- Masonry bit set
- Drill bit 3/16" (for 3/8" lag bolts) or 1/4" (for 1/2" lag bolts) if mounting on surface that requires pilot holes
- 10mm Allen key (for slope adjustment)
- 13mm socket (for securing square bar in mounting brackets)
- 5mm Allen key (for hood brackets)
- Phillips driver #2 (for hood end plates)
- Ladders
- Level
- Chalk line

Supplied: Installation wall brackets. Other brackets available upon request.

Not Supplied: Anchors, lag bolts, or mounting screws for installation. We recommend 3/8" lag bolts with washers and corresponding anchors.

Notes

When mounting a retractable awning, it is extremely important to take into consideration the type of building surface you will be installing on. Whether the building's exterior is stucco, siding or brick, it is imperative to install the mounting brackets in a correct manner, to properly secure the awning to the building's surface.

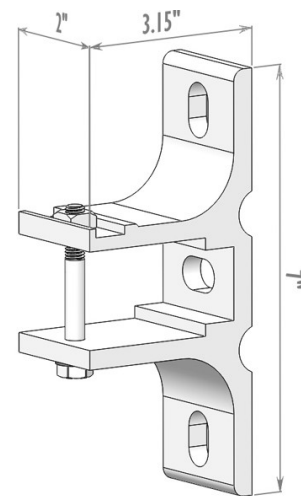
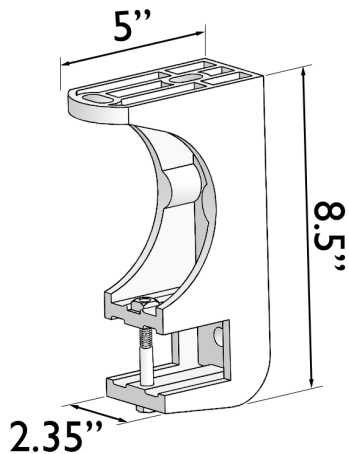
A retractable fabric awning is designed to provide **shade** and light rain protection*, and should be retracted during heavy rain, snow, or severe wind conditions.

* A minimum of 15° slope is required, and should be used under proper care.

Available Installation Brackets for the Physique XL™

Wall Bracket

Extruded aluminum with a white powder coated finish. For flat surface mounting, such as brick, wood, or siding.

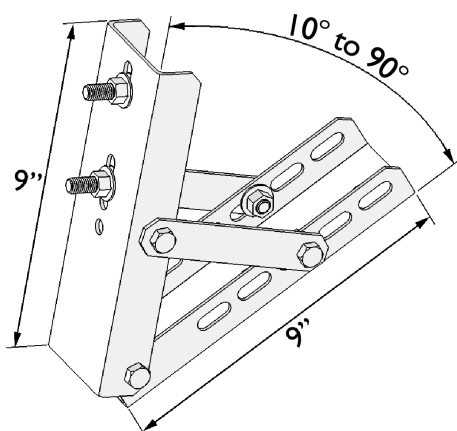
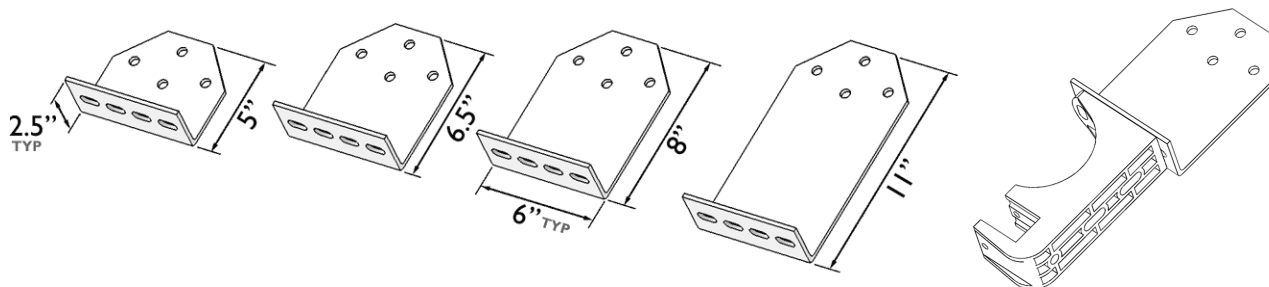


3-hole Universal Bracket (optional)

To be used for installations under the soffit. Can be used individually or in combination with rafter brackets.

Rafter Bracket (used in combination with universal brackets, optional)

Rafter brackets are made of steel with a white powder coated finish. They are available in 4 sizes, and must be used in combination with a universal bracket.



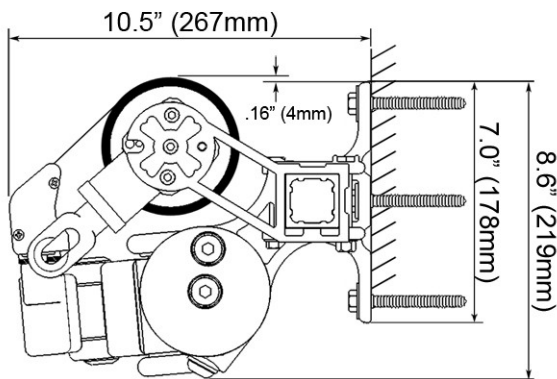
Roof Bracket

Roof brackets are made of stainless steel and used in combination with a wall bracket when installing on a roofline.

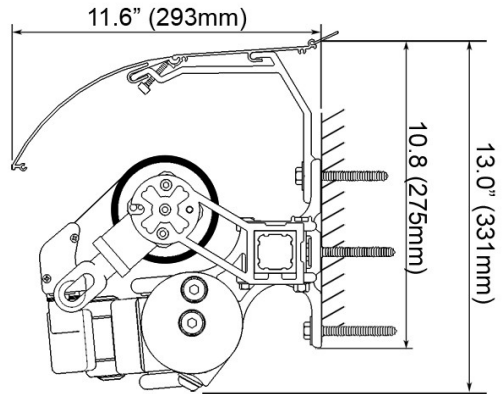
Roof brackets can be adjusted between 10° and 90° to accommodate the slope of the roof.

Side Dimensions for Various Installations

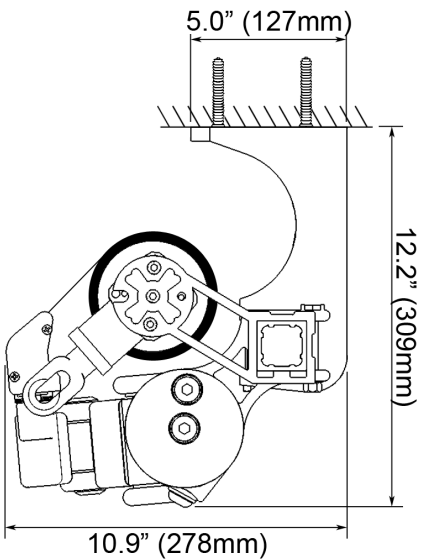
Installation on wall



Installation on wall with optional protective hood



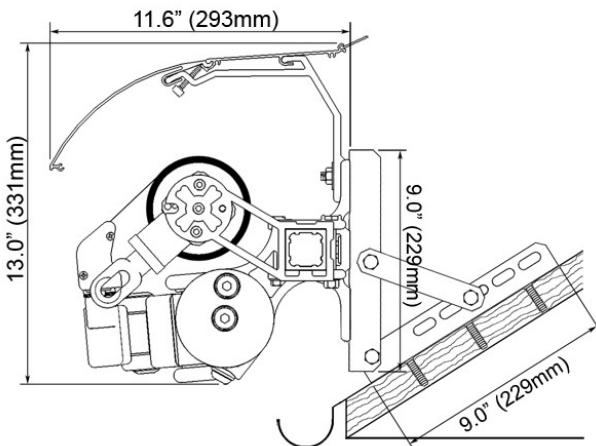
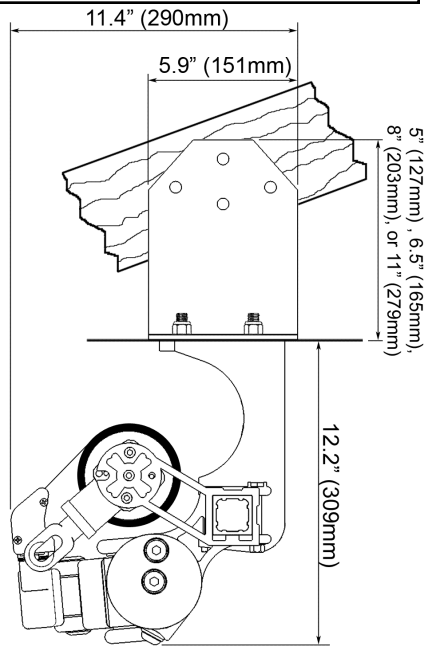
Installation under overhang



When mounting under a soffit, make sure that the back edge of the ceiling bracket is at least 12" from the front edge of the roof. This protects the retracted awning from weather elements.

Bolt only 3 holes (2 holes if trusses are 2x4) of the rafter bracket to the center of the roof truss, the wood might crack if all 4 holes are bolted.

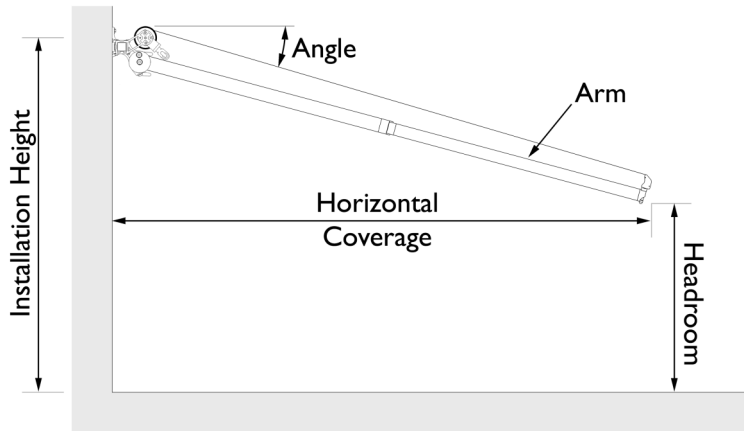
Installation under overhang with rafter brackets



Installation on roof with protective cover

The angle of the roof brackets is adjusted between 10° and 90° to ensure that the awning is mounted upright despite the slope of the roof. A protective hood is recommended.

Determining Installation Height and Coverage



The Physique XL™ comes with only one size of arms: 13'. Therefore, the horizontal coverage depends strictly on the angle of the awning.

Installation height is determined by the amount of headroom desired at a given angle. This needs to be specified by the customer.

INSTALLATION HEIGHT = HEADROOM + VERTICAL DROP

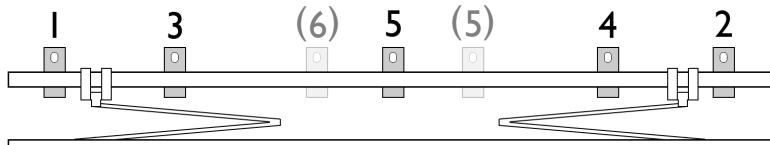
NOTE: In order to use an awning for light rain protection, it must be installed with a 15° slope or greater.

Angle	Vertical Drop	Horizontal Coverage
5°	1' 8"	12' 10"
10°	2' 10"	12' 9"
15°	4' 0"	12' 6"
20°	5' 1"	12' 4"

Awning Frame Width	15'-18'	19'-21'	22'-23'	24'
Number of Installation Brackets	5	6	6	7
Number of Lateral Arms	2	2	3	3

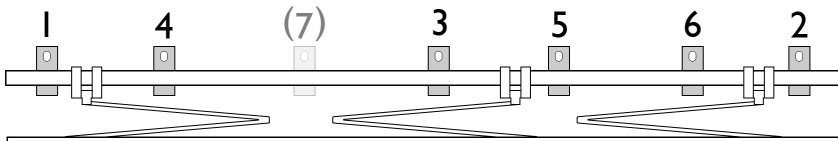
Positioning Installation Brackets

Fig.1: Awning with 2 Arms and 5 or 6 Brackets



Brackets that are placed on the outside of the arm shoulder (bracket 1 and 2 in all the illustrations) should be as close to the arm shoulder as possible, up to 12".

Fig.2: Awning with 3 Arms and 6 or 7 Brackets



Brackets placed inside the arm shoulder (bracket 3 or 4 in Fig.1) should be 12" to 24" from the arm shoulder.

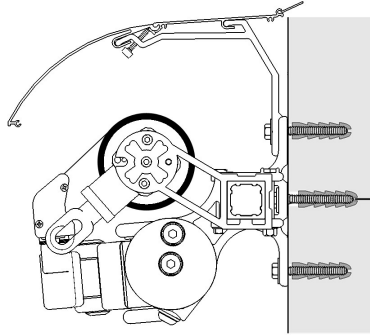
NOTE: There should be a bracket on the outside of the shoulder whenever possible!

It is important to properly secure the installation brackets to the surface. The weight of the awning, added pulling forces and aerodynamic lifts (when the awning is extended) are creating considerable stress on the installation brackets.

Expected stress values are factored into the number of brackets shipped with an awning. However, it is assumed that the awning will be installed on a solid surface. When installing on a weaker surface, it is recommended to use additional brackets to spread the load. Extra brackets are available on request, for a small added charge.

Mounting Wall Brackets to Surface

NOTE: Check to see that the wall is flat and even. If it is **not**, it is advisable to mount the brackets on a cedar wooden board first. The brackets can be attached to the board with carriage bolts, before the board is mounted on the wall. Use a 2"x10" board; if the awning has a protective hood use a 2"x12".



Step 1. Draw a Horizontal Line

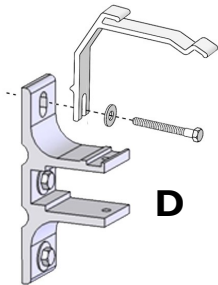
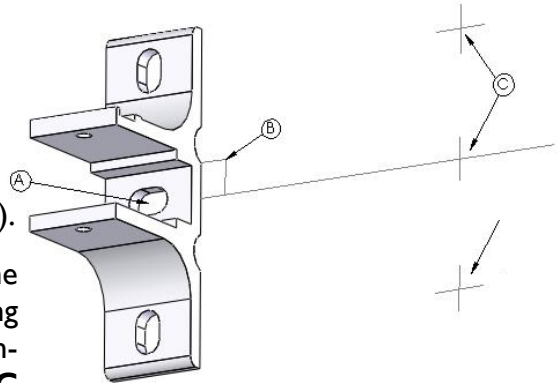
Chalk a horizontal line at the optimum installation height (as determined on page 4). The level of the line corresponds to the level of the middle installation screw. This step is not necessary if installing on brick.

Step 2. Mark Where to Drill Holes

Align a wall bracket so that the chalk line goes through the center of the middle hole (A). If installing on brick, make sure that all holes are on brick and not mortar (fastening an awning to mortar will cause it to loosen over time).

Use a level to make sure that the bracket is upright (B).

Use a pencil to draw a line down the center of the small visible wall area through the middle hole. Keeping the bracket in place, draw perpendicular lines that intersect in the centre of the top and bottom holes. C illustrates the resulting



Step 3. Drill Holes and Attach Outside Brackets

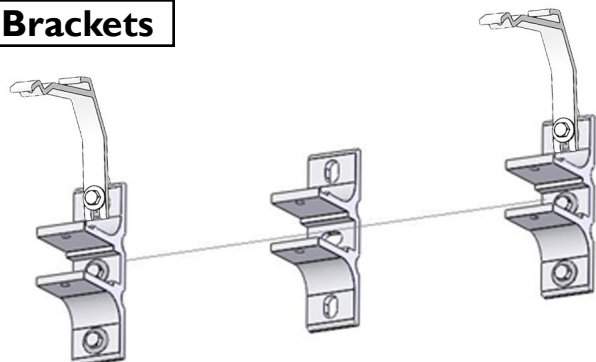
After marking the locations of drill holes for the two outside brackets, drill the holes and attach them loosely.

NOTE: If a protective hood is to be used, the hood brackets should be installed together with the wall brackets (D).

Step 4. Align and Attach Remaining Brackets

Align the remaining wall brackets with respect to the two outside ones. They will need to be able to fit and support installation bar, and good alignment is important.

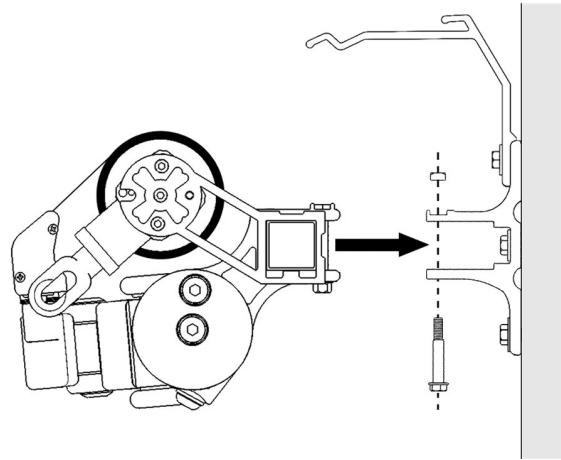
Once you are satisfied with the alignment, tighten all screws firmly and check that each bracket is attached solidly to the surface.



Attaching and Operating the Awning

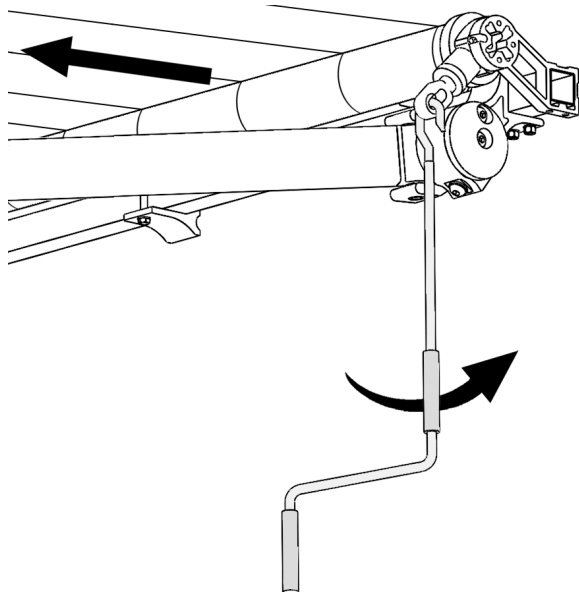
Attaching the Awning

1. Make sure that both your hands and the working area are clean.
2. Remove the awning from the protective sleeve. **Do not use a knife**, as you risk damaging the fabric.
3. Slide awning square bar into the mounted brackets. Use a 13mm socket and the supplied bolts to secure the square bar inside the brackets.



The procedure is identical for both wall and ceiling installations.

Extending and Retracting the Awning



Manual Operation

Start by attaching the crank by hooking it through the loop in the gear mechanism, as shown.

For a **right side** crank (pictured), turning the crank counter-clockwise will extend the awning, and turning clockwise will retract it. For a left side crank, it's the other way around.

You will know that the awning has fully extended once the fabric becomes slightly slack. When this happens, turn the crank in the opposite direction just enough for the fabric to go back to being taut.

When retracting from a fully extended position, the first turn or two can offer a fair amount of physical resistance. This is normal and should not cause alarm.

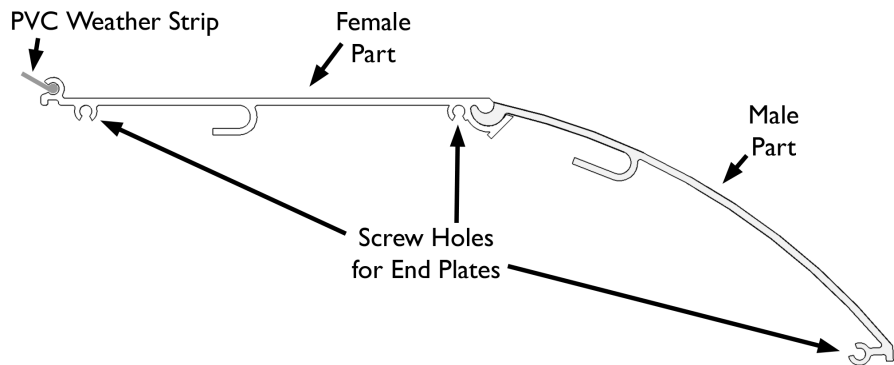
Motorized Operation

Use the supplied electrical 3-way control (switch or remote) to operate your awning. The **UP** button is to close the awning, and the **DOWN** button is to open the awning. The middle button lets you stop the awning partway. If you adjust the slope, you might have to adjust the limit switches on your motor. Also, resetting the limit switches on your motor is recommended after the first few months of use, as awning fabric has a tendency to stretch. Please refer to instructions supplied with the motor or contact Rolltec®.

Installation of the Protective Hood (Optional)

Structure of a Protective Hood

The hood is manufactured in two pieces: a female part, and a male part. The female part holds a PVC weather strip. This strip goes against the wall, eliminating the need for caulking.

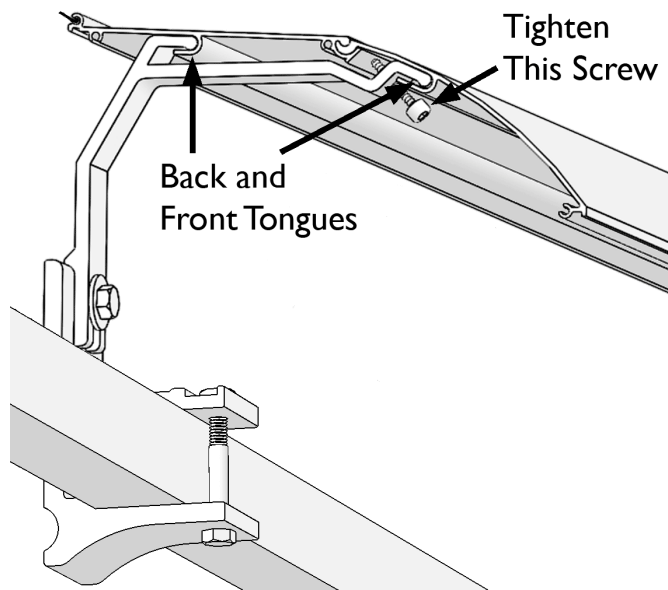


The two parts joined as shown, and hold together mainly with gravity. The three small grooves in the hood are screw holes, and are used in attaching side cover plates. The remaining two grooves (which are significantly larger), are used to fit the hood onto hood brackets.

Hood brackets are usually installed at the same time as wall brackets (see page 6, Fig.D), but can be added later. Remember that hood brackets must go in front of the wall brackets, but behind the washers of the screws securing the brackets to the wall.

NOTE: A protective hood is optional, but it comes very highly recommended when the awning is installed on a flat, exposed surface. If the awning is equipped with an electric motor and there is no overhang shielding the awning from the elements, a hood is mandatory. A hood cannot be used in conjunction with universal brackets.

Fitting a Hood onto Hood Brackets



Each hood bracket comes with two tongues that fit into the large grooves on the underside of the protective hood. The hood is slid on after the brackets have been installed.

Afterwards, the screw shown in the picture on the left should be tightened.

NOTE: A protective hood can be installed before or after mounting the awning onto the wall brackets.

Slope Adjustment Instructions

Preparation

- You will need a 10mm Allen key to perform the adjustment procedure.
- Before starting, extend the awning fully.
- Note that slope adjustment is done on one arm at a time, the arms should not differ in slope by more than 10° (you need to go back and forth between arms if you want a steeper adjustment), and the final slope of each arm must be equal.
- You should support the arm being adjusted.

Procedure (for each arm)

1. Locate two bolt heads on the outer side of the arm shoulder. The upper one (see **A**) has to be loosened, while the centre one should be left untouched.
2. Using the 10mm Allen key, loosen (but do not remove: between 1/2 to 3/4 of a turn) the upper side bolt.
3. Now use the same Allen key to turn the bolt located on the bottom front of the shoulder (see **B**). This bolt controls the slope of the arm. Turning it clockwise raises the arm, while turning counter-clockwise lowers it.
4. Once the arm is at the desired slope, re-tighten the upper side bolt.

